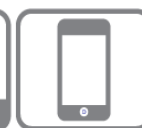
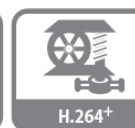


# DHI-NVR2104/2108HS-S2

## 4/8 Channel Compact 1U Lite Network Video Recorder



- H.264+/H.264 codec decoding
- Max 80Mbps incoming bandwidth
- Up to 6Mp resolution preview&playback
- HDMI/VGA simultaneous video output
- 3D intelligent positioning with Dahua PTZ camera



### System Overview

Dahua's NVR2000-S2 is one of the NVRs which have the most reasonable price and best quality for IP video surveillance applications. This Lite series NVR provides up to 6MP resolution. It supports smart H.264 decoding, save up to 50% HDD space and storage. Additionally, the NVR features a mouse shortcut operation menu, remote management and control, centre storage, edge storage, and back up storage.

Designed as a low-cost, easy installation, this NVR is ideal for a wide range of applications such as home safety, grocery, warehouse, education, and financial institutions.

The NVR is compatible with numerous third-party devices making it the perfect solution for surveillance systems with or without a video management system (VMS). Its open architecture supports multi-user access and is compatible with ONVIF 2.4, enabling interoperability when combined with IP cameras.

### Functions

#### Smart H.264+

Delivering high quality video without straining the network, Smart H.264+ is the optimized implementation of H.264. The Smart H.264+ encoding platform includes a scene adaptive encoding strategy, dynamic GOP, dynamic ROI, flexible multi-frame reference structure and intelligent noise reduction, providing a savings of up to 70% of bandwidth and storage when compared with standard H.264.

#### Plug & Play

With the Smart Add function, the installation of IP system is as easy as an analog system, no matter the NVR with or without a PoE switch embedded. It should be noted that the NVR has to be in the same router as cameras.

#### ANR (Automatic Network Replenishment Technology)

Video record in SD card in IP cameras when the network breaks down, and after the network recovered, the video will be transferred to NVR and then recorded in it.

#### Easy4ip

You can monitor at anytime and anywhere with Easy4ip. There are two modes Easy4ip web client and mobile app. With this function, you can manage your devices more convenient.

## Technical Specification

### System

|                  |                              |
|------------------|------------------------------|
| Main Processor   | Dual-core embedded processor |
| Operating System | Embedded LINUX               |

### Display

|                      |  |
|----------------------|--|
| Interface            | 1 HDMI, 1 VGA  |
| Resolution           | 1920×1080, 1280×1024, 1280×720, 1024×768                                 |
| Multi-screen Display | 4CH: 1/4<br>8CH: 1/4/8/9   |
| OSD                  | Camera title, Time, Video loss, Camera lock, Motion detection, Recording |

### Video Detection and Alarm

|                        |   |
|------------------------|---|
| Trigger Events         | Recording, PTZ, Tour, Video Push, Snapshot, Buzzer and Screen Tips  |
| Video Detection        | Motion Detection, MD Zones: 396 (22 × 18), Video Loss and Tampering |
| Alarm input            | N/A   |
| Relay Output           | N/A   |
| Tracking Trigger Event | N/A   |

### Playback and Backup

|                   |   |
|-------------------|---|
| Sync Playback     | 4CH: 1/4<br>8CH: 1/4/9  |
| Search Mode       | Time /Date, MD and Exact Search (accurate to second)  |
| Playback Function | Play, Pause, Stop, Rewind, Fast play, Slow Play, Next File, Previous File, Next Camera, Previous Camera, Full Screen, Repeat, Shuffle, Backup Selection, Digital Zoom |
| Backup Mode       | USB Device/Network/Internal SATA burner   |

### Storage

|              |  |
|--------------|--|
| Internal HDD | 1 SATA III Port, up to 6TB capacity for each HDD |
| HDD Mode     | Single   |
| eSATA        | N/A  |
| SAS          | N/A  |

### Auxiliary Interface

|             |   |
|-------------|---|
| Front Cover | N/A                                     |
| USB         | 2 ports (1 Rear USB2.0, 1 Front USB2.0) |
| RS232       | N/A                                     |
| RS485       | N/A                                     |

### Third-party Support

|                     |  |
|---------------------|--|
| Third-party Support | Dahua, Arecont Vision, AXIS, Bosch, Brickcom, Canon, CP Plus, Dynacolor, Honeywell, Panasonic, Pelco, Samsung, Sanyo, Sony, Videotec, and more |
|---------------------|--|

### Audio and Video

|                 |  |
|-----------------|--|
| IP Camera Input | 4/8 Channel                            |
| Two-way Talk    | 1 Channel Input, 1 Channel Output, RCA |

### Recording

|                 |  |
|-----------------|--|
| Compression     | H.264+/H.264   |
| Resolution      | 6Mp/5Mp/4Mp/3Mp/1080P/ 720P/ D1&etc.                                       |
| Record Rate     | 80Mbps   |
| Bit Rate        | 16kbps~20Mbps for per channel  |
| Record Mode     | Manual, Schedule(Regular(Continuous), MD, Stop                             |
| Record Interval | 1~120 min (default: 60 min), Pre-record: 1~30 sec, Post-record: 10~300 sec |

### Network

|                         |   |
|-------------------------|---|
| Interface               | 1 RJ-45 port (10/100Mbps)   |
| Ethernet Port           | 1 Independent 100Mbps Ethernet Port   |
| PoE                     | N/A   |
| Network Function        | HTTP, TCP/IP, IPv4/IPv6, RTSP, UDP, NTP, DHCP, DNS, IP Filter, DDNS, IP Search(Support Dahua IP camera, DVR, NVS and etc.), Easy4ip |
| Optical Fiber Interface | N/A   |
| Max. User Access        | 128 users   |
| Smart Phone             | iPhone, iPad, Android   |
| Interoperability        | ONVIF 2.4, CGI Conformant   |

### Electrical

|                   |                     |
|-------------------|---------------------|
| Power Supply      | Single, DC12V/2A    |
| Power Consumption | <2.4W (without HDD) |

### Environmental

|                      |   |
|----------------------|---|
| Operating Conditions | -10°C ~ +55°C (+14°F ~ +131°F), 86 ~ 106kpa |
| Storage Conditions   | -20°C ~ +70°C (-4°F ~ +158°F), 0 ~ 90% RH   |

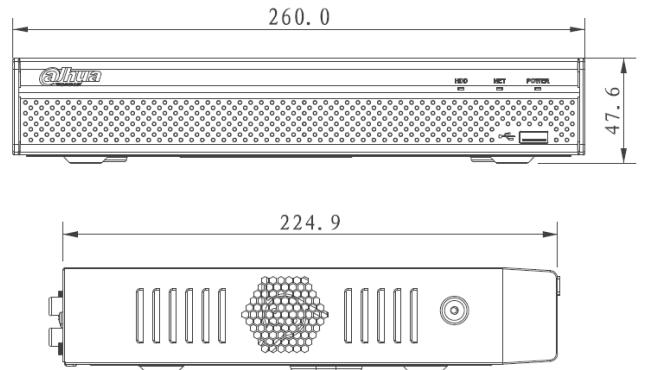
Construction

|                   |  |
|-------------------|--|
| Dimensions(WxDxH) | Compact 1U, 260mm×224.9mm×47.6mm (10.2" x 8.9" x 1.9") |
| Net Weight        | 0.8kg (1.76 lb) (without HDD)                          |
| Gross Weight      | 1.6kg(3.53 lb)(without HDD)                            |

Certifications

|     |             |
|-----|-------------|
| CE  | Coming soon |
| FCC | Coming soon |

Dimensions (mm)



Ordering Information

| Type          | Part Number      | Description                                      |
|---------------|------------------|--|
| 4 Channel NVR | DHI-NVR2104HS-S2 | 4 Channel Compact 1U Lite Network Video Recorder |
| 8 Channel NVR | DHI-NVR2108HS-S2 | 8 Channel Compact 1U Lite Network Video Recorder |
| Accessories   | N/A              | N/A  |