

DS-2CE16D1T-(A)IR3Z



Key Features

- 2 Megapixel high-performance CMOS
- Analog HD output, up to 1080P resolution
- 2.8 – 12mm motorized vari-focal lens
- True Day/Night, Smart IR
- Up to 40m IR distance
- IP66 weatherproof
- OSD menu
- 24V AC/ 12V DC (-A)

Specification

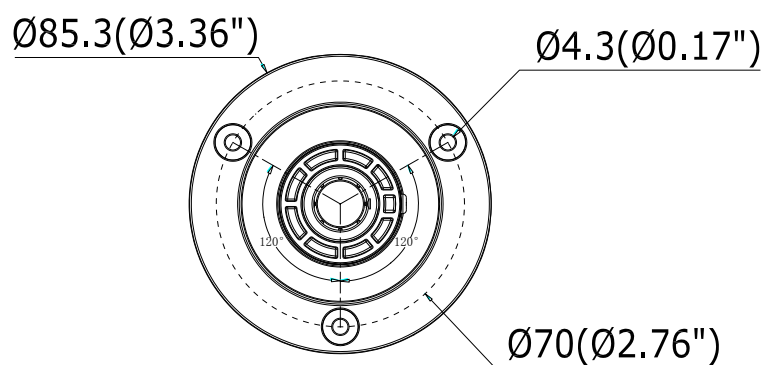
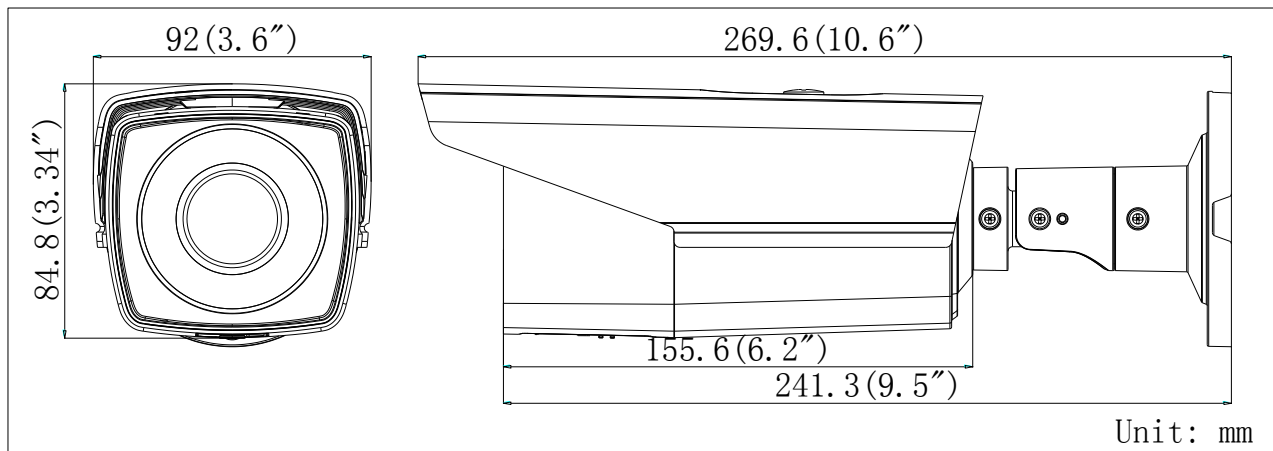
Model	DS-2CE16D1T-(A)IR3Z
Parameter	Turbo HD1080p Motorized Vari-focal IR Bullet Camera
Camera	
Image Sensor	2MP CMOS Image Sensor
Signal System	PAL/NTSC
Effective Pixels	1930(H)*1088(V)
Min. Illumination	0.01 Lux @ (F1.2,AGC ON),0 Lux with IR 0.014 Lux @ (F1.4,AGC ON),0 Lux with IR
Shutter Time	1/25(1/30) s to 1/50,000 s
Lens	Motorized VF lens; 2.8 - 12 mm @ F1.4 Angle of view: 114.5° - 35.1°
Lens Mount	φ14
Angle Adjustment	Pan: 0 - 360°, Tilt: 0 - 90°, Rotation: 0 - 360°

Day & Night	ICR
Synchronization	Internal synchronization
Video Frame Rate	1080p@25fps/1080p@30fps
HD Video Output	1 Analog HD output
S/N Ratio	> 62dB
Menu	
Camera ID	On/off (0-255)
AGC	Support
D/N Mode	Color/BW/Auto/EXT
White Balance	Auto/User/Push/8000K/6000K/4200K/3000K
Privacy Mask	On/Off, maximum 2 zones
Motion Detection	On/Off, maximum 4 zones
BLC (Backlight Compensation)	Support
DWDR (Digital Wide Dynamic Range)	Support
Anti-flicker	On/Off
Language	English/Chinese
Functions	Digital noise reduction, Mirror
General	
Working Temperature/Humidity	-40 °C - 60 °C (-40 °F - 140 °F) Humidity 90% or less (non-condensing)
Power Supply	12 VDC±15% -A: 12 VDC±15%, 24 VAC±15%
Power Consumption	Max. 5W -A: Max. 6W
Weather Proof Ratings	IP66
IR Range	Up to 40m
Communication	Up the coax Protocol: HIKVISION-C(Coaxitron)
Dimension	92 × 84.8 × 269.6mm(3.62" × 3.34" × 10.6")
Weight(approx.)	720g (1.59 lb)

Order Model

DS-2CE16D1T-IR3Z, DS-2CE16D1T-AIR3Z

Dimension



Accessory



DS-1275ZJ
Vertical Pole Mounting



DS-1280ZJ-S
Junction Box



DS-1H18
Video Balun



DS-TT-X41T
TVI Tester