

DS-2CD4B26FWD-IZ(S)

2.0 MP Ultra-Low Light Smart Bullet Camera

DARKFIGHTER



smart IPC

The Darkfighter series ultra-low light smart cameras are able to capture high quality colored images in dim light environment. DS-2CD4B26FWD-IZ(S) offers full HD resolution, 120dB WDR, Auto-iris, PoE, Defog, EIS, 3D DNR, 6 behavior analyses, 1 exception detection, and 1 recognition to meet a wide variety of applications.

- 1/1.8" Progressive Scan CMOS
- Auto-iris
- 1920 × 1080 @ 30fps
- Ultra-low light
- H.265, H.265+
- 120dB WDR
- IP67
- 6 behavior analyses, 1 exception detection, and 1 recognition



Function Description

Smart

- 6 behavior analyses, 1 exception detection, and 1 recognition
- Smart recording: Support edge recording and dual-VCA
- Smart encoding: Support low bit rate, low latency, ROI enhance encoding

Image

- 1920 × 1080 @30fps
- Support rotate mode, suitable for environment as corridor
- Support target cropping, details can be seen with low bandwidth
- Streaming smoothness setting for different requirements of image quality and fluency
- Support H.265+/H.265/H.264+/H.264/MJPEG video compression, multi-level video quality configuration; support Baseline Profile/Main Profile/High Profile H.264 encoding complexity, and Main Profile H.265 encoding complexity
- Multiple OSD color: Black & white self-adaptive; Custom
- 120dB WDR is supportable for backlight environment
- Support defog, BLC, EIS, HLC

System

- Support ONVIF (profile S/profile G), ISAPI protocol
- Support three streams, and Support 20 channels live view at the same time
- Lightning protection, surge protection, voltage transient protection, anti-static protection

Interface

- Support standard 128G Micro SD/SDHC/SDXC card storage
- Support 10M/100M Ethernet port, RS-485
- Support Audio I/O, support stereo audio (-S)
- Support Alarm I/O (-S)
- Support CVBS analog output (4CIF resolution)

Security

- Support three-level user authentication management, user and password authorization, and IP address filtering
- Support security certificate as HTTPS
- Lock user IP after certain times failed login attempts

Specifications

| Camera | |
|-----------------------------|--|
| Image Sensor | 1/1.8" Progressive Scan CMOS |
| Min. Illumination | Color: 0.002 Lux @ (F1.2, AGC ON), 0.0027 Lux @ (F1.4, AGC ON), 0 Lux with IR B/W: 0.0002 Lux @ (F1.2, AGC ON), 0.00027 Lux @ (F1.4, AGC ON), 0 Lux with IR" |
| Shutter Speed | 1 s – 1/100,000 s |
| Slow Shutter | Support |
| Lens | 2.8 – 12 mm F1.4, horizontal angle of view 90.1° - 31° |
| Lens Mount | Ø14 |
| Auto-iris | DC drive |
| Day & Night | IR Cut Filter |
| Digital Noise Reduction | 3D DNR |
| WDR | 120dB |
| 3-Axis Adjustment (Bracket) | Pan: 0° to 360°, tilt: 0° to 100°, rotate: 0° to 360° |
| Compression Standard | |
| Video Compression | Main stream: H.265/H.264 Sub stream: H.265/H.264/MJPEG Third stream: H.265/H.264 |
| H.264 Type | Baseline Profile/Main Profile/High Profile |
| H.264+ | Support |
| H.265 Type | Main Profile |
| H.265+ | Support |
| Video Bit Rate | 32 Kbps – 16 Mbps |
| Audio Compression | G.711/G.722.1/G.726/MP2L2/PCM |
| Audio Bit Rate | 64Kbps(G.711)/16Kbps(G.722.1)/16Kbps(G.726)/32-192Kbps(MP2L2) |
| Image | |
| Max. Resolution | 1920 × 1080 |
| Main Stream | 50Hz: 25fps (1920 × 1080, 1280 × 960, 1280 × 720) 60Hz: 30fps (1920 × 1080, 1280 × 960, 1280 × 720) |
| Sub Stream | 50Hz: 25fps (704 × 576, 640 × 480, 352 × 288, 320 × 240) 60Hz: 30fps (704 × 480, 640 × 480, 352 × 240, 320 × 240) |
| Third Stream | 50Hz: 25fps (1920 × 1080, 1280 × 960, 1280 × 720, 704 × 576, 640 × 480, 352 × 288, 320 × 240) 60Hz: 30fps (1920 × 1080, 1280 × 960, 1280 × 720, 704 × 480, 640 × 480, 352 × 240, 320 × 240) |
| Image Enhancement | BLC/HLC/3D DNR/Defog/EIS |
| Image Setting | Rotate Mode, Saturation, Brightness, Contrast, Sharpness adjustable by client software or web browser |
| Region of Interest | Support 4 fixed region for each stream, and dynamic face tracking |
| Lens Distortion Correction | Support |
| Target Cropping | Auto/Schedule/Triggered by Alarm In (-S) |
| Day/Night Switch | Auto/Schedule/Triggered by Alarm In |
| Picture Overlay | LOGO picture can be overlaid on video with 128 × 128 24bit bmp format |
| Network | |
| Network Storage | Support Micro SD/SDHC/SDXC card (128G), local storage and NAS (NFS,SMB/CIFS), ANR |
| Alarm Trigger | Motion detection, video tampering alarm, network disconnected, IP address conflict, illegal login, HDD full, HDD error |

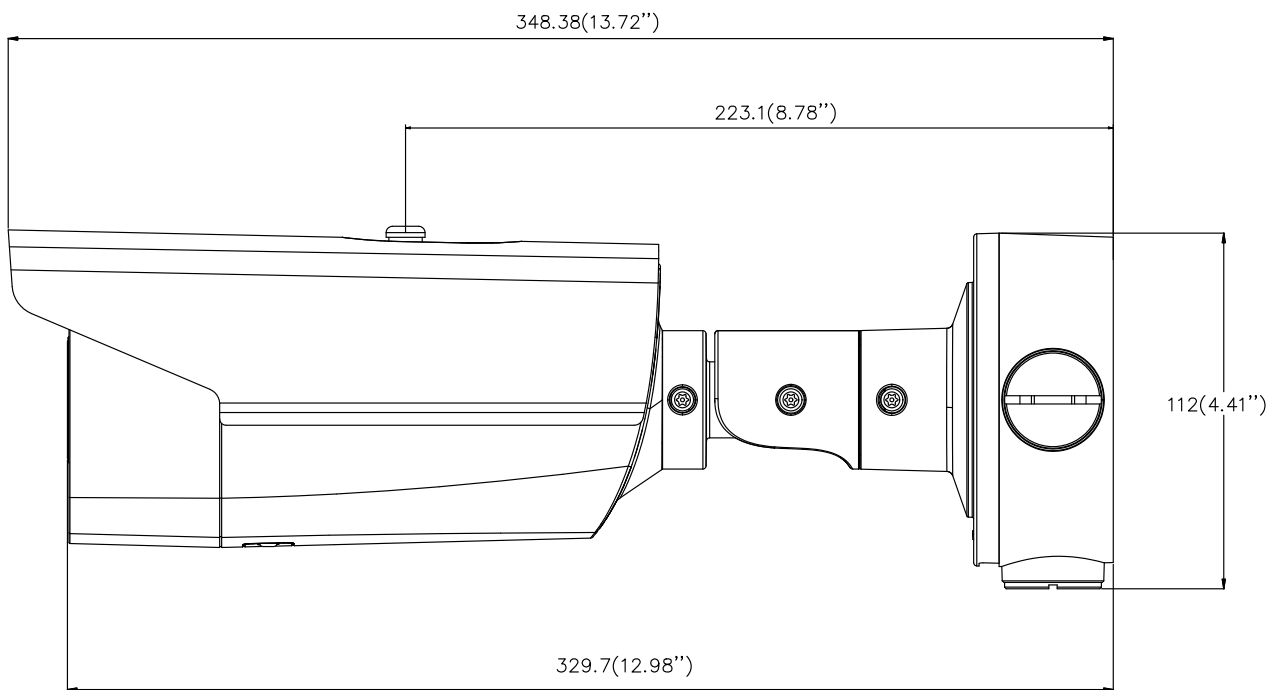
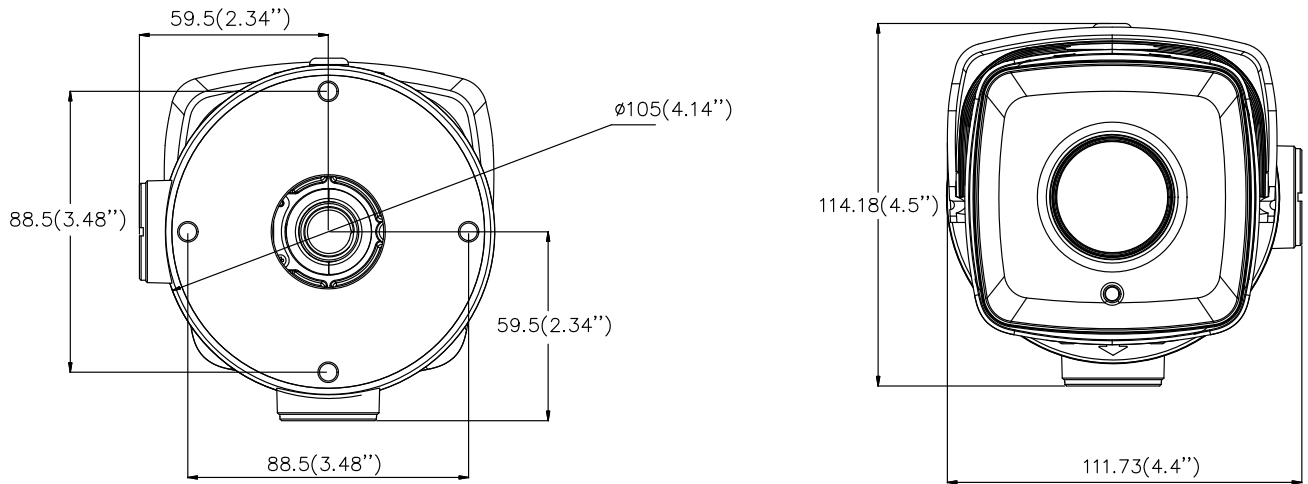
| | |
|-------------------------------|---|
| Protocols | TCP/IP, ICMP, HTTP, HTTPS, FTP, DHCP, DNS, DDNS, RTP, RTSP, RTCP, PPPoE, NTP, UPnP, SMTP, SNMP, IGMP, 802.1X, QoS, IPv6, UDP, Bonjour |
| General Function | One-key reset, anti-flicker, three streams, heartbeat, password protection, privacy mask, watermark, IP address filter |
| Standard | ONVIF (PROFILE S, PROFILE G), ISAPI |
| Interface | |
| Audio | With –S model: 1 input (line in), 1 output |
| Communication Interface | 1 RJ45 10M/100M Ethernet port; with –S model: 1 RS-485 interface |
| Alarm | With –S model: 1 input, 1 output (up to DC24V 1A or AC110V 500mA) |
| Video Output | 1Vp-p composite output (75 Ω/BNC) |
| On-board storage | Built-in Micro SD/SDHC/SDXC slot, up to 128 GB |
| Reset Button | Yes |
| Audio | |
| Environment Noise Filtering | Support |
| Audio I/O | Support |
| Audio Sampling Rate | Max. 48 kHz |
| Smart Feature-set | |
| Behavior Analysis | Line crossing detection, intrusion detection, region entrance detection, region exiting detection, unattended baggage detection, object removal detection |
| Line Crossing Detection | Cross a pre-defined virtual line, up to 4 pre-defined virtual lines supported |
| Intrusion Detection | Enter and loiter in a pre-defined virtual region, up to 4 pre-defined virtual regions supported |
| Region Entrance Detection | Enter a pre-defined virtual region from the outside place |
| Region Exit Detection | Exit from a pre-defined virtual region |
| Object Removal Detection | Objects removed from the pre-defined region, such as the exhibits on display. |
| Unattended Baggage Detection | Objects left over in the pre-defined region such as the baggage, purse, dangerous materials |
| Exception Detection | Scene change detection |
| Recognition | Face detection |
| General | |
| Operating Conditions | -30 °C – 60 °C (-22 °F – 140 °F), Humidity 95% or less (non-condensing) |
| Power Supply | 12 V DC ± 20%, PoE (802.3at, class 4) |
| Power Consumption and Current | 12 V DC ± 20%: Max. 11.25 W/0.94 A PoE (802.3at): Max. 15 W/0.31 A |
| IR Range | 10 m to 30 m |
| Protection Level | IP67 |
| Dimensions | 348.38 × 114.18 × 111.73 mm (13.72" × 4.5" × 4.4") |
| Weight | Camera: 1900 g (4.19 lb.) With package: 2100 g (4.63 lb.) |

Order Models:

DS-2CD4B26FWD-IZ; DS-2CD4B26FWD-IZS

*-S: with 1 audio input (line in), 1 audio output, 1 RS-485, 1 alarm input and 1 alarm output

Dimensions



Unit: mm

Accessories



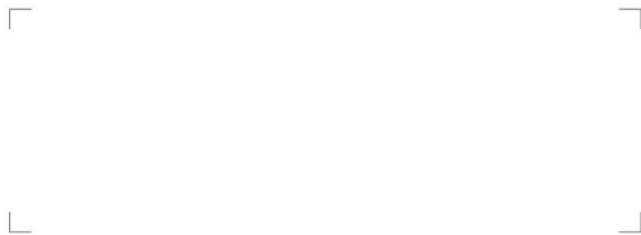
DS-1275ZJ-SUS
Vertical Pole Mount



DS-1276ZJ-SUS
Corner Mount



Distributed by

**HIKVISION®****Headquarters**

No.555 Qianmo Road, Binjiang District,
Hangzhou 310051, China
T +86-571-8807-5998
overseasbusiness@hikvision.com

Hikvision USA
T +1-909-895-0400
sales.usa@hikvision.com

Hikvision Italy
T +39-0438-6902
info.it@hikvision.com

Hikvision Singapore
T +65-6684-4718
sg@hikvision.com

Hikvision Africa
T +27 (10) 0351172
sale.africa@hikvision.com

Hikvision Europe
T +31-23-55-42-770
info.eu@hikvision.com

Hikvision France
T +33(0)1-85-330-450
info.fr@hikvision.com

Hikvision Oceania
T +61-2-8599-4233
salesau@hikvision.com

Hikvision Hong Kong
T +852-2151-1761

Hikvision Middle East
T +971-4-8816086
salesme@hikvision.com

Hikvision Spain
T +34-91-737-16-55
info.es@hikvision.com

Hikvision Canada
T +1-909-895-0400
sales.usa@hikvision.com

Hikvision Russia
T +7-495-669-67-99
saleru@hikvision.com

Hikvision Poland
T +48-22-460-01-50
poland@hikvision.com

Hikvision Korea
T +82-31-731-8841
sales.korea@hikvision.com

Hikvision India
T +91-22-28469900
sales@pramahikvision.com

Hikvision UK
T +01628-902140
support.uk@hikvision.com

Hikvision Brazil
T +55 11 3318-0050
Latam.support@hikvision.com