

## DS-2CD1641FWD-I (Z) 4.0 MP CMOS Vari-Focal Network Bullet Camera



### Key Features

- 1/3" progressive scan CMOS
- Up to 4.0 megapixel high resolution
- 2.8 mm to 12 mm manual/motorized (with-Z) vari-focal lens
- Up to 30 m IR range
- Dual stream
- 120dB WDR (Wide Dynamic Range)
- 3D DNR (Digital Noise Reduction)
- PoE (Power over Ethernet)
- IP 67
- Mobile monitoring via Hik-Connect or iVMS-4500



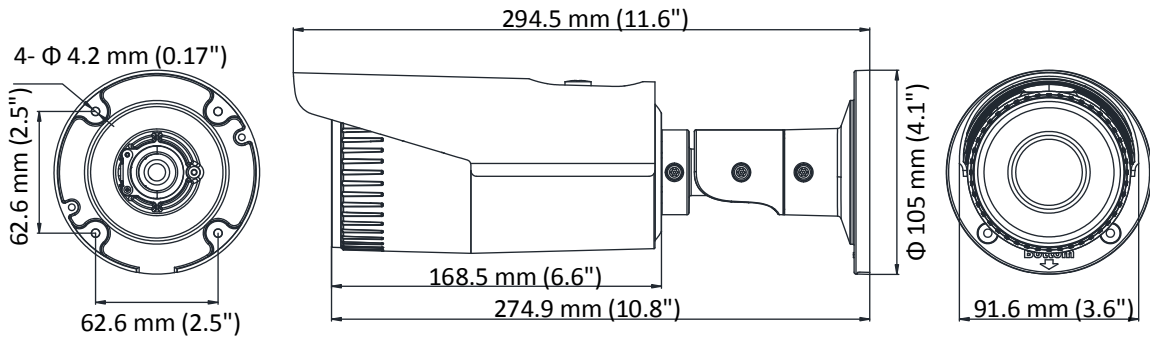
## Specification

<b>Camera</b>	
Image Sensor	1/3" progressive scan CMOS
Min. Illumination	Color: 0.01Lux @(F1.2,AGC ON),0 Lux with IR
Shutter Speed	1/3s to 1/100,000 s, support slow shutter
Lens	2.8 mm to 12 mm @F1.4 , horizontal field of view: 108° to 31°
Lens Mount	Φ14
Day &Night	IR cut filter with auto switch
3-Axis Adjustment	Pan: 0° to 355°, tilt: 0° to 100°, rotation:0° to 355°
DNR(Digital Noise Reduction)	3D DNR
WDR (Wide Dynamic Range)	120 dB
<b>Compression Standard</b>	
Video Compression	Main stream: H.264+/H.264 Sub stream: H.264/ MJPEG
H.264 Type	Main profile/High profile
Video Bit Rate	32 Kbps to16 Mbps
Dual Stream	Support
<b>Image</b>	
Max. Resolution	2688 × 1520
Main Stream Max. Frame Rate	50Hz: 20fps @(2688 × 1520), 20fps @(2304 × 1296), 25fps @(1920 × 1080, 1280 × 720) 60Hz: 20fps @(2688 × 1520), 20fps @(2304 × 1296), 30fps @(1920×1080, 1280 × 720)
Sub-stream Max. Frame Rate	50Hz: 25fps@(640 × 360, 352 × 288) 60Hz:30fps@(640 × 360, 352 × 240)
Image Settings	Brightness, saturation, contrast, sharpness are adjustable via web browser or client software
Day/Night Switch	Support auto, scheduled
Others	Mirror, BLC (area configurable), region of interest (support 1 fixed region)
<b>Network</b>	
Network Storage	Support micro SD/SDHC/SDXC card (128G), local storage and NAS (NFS,SMB/CIFS), ANR
Detections	Motion detection
Alarms	Video tampering, network disconnected, IP address conflicted, HDD full, HDD error
Protocols	TCP/IP,ICMP,HTTP,HTTPS,FTP,DHCP,DNS,DDNS,RTP,RTSP,RTCP, NTP,UPnP,SMTP,SNMP,IGMP,802.1X,QoS,IPv6, Bonjour
Standard	ONVIF(PROFILE S,PROFILE G),PSIA,CGI,ISAPI
General Function	One-key rest, anti-flicker,heartbeat, mirror, password protection, privacy mask, watermark, IP address filter
<b>Interface</b>	
Communication Interface	1 RJ45 10M/100M self-adaptive Ethernet port
Video Output (Without -Z)	1Vp-p composite output(75Ω/BNC)
Reset	Support
<b>General</b>	
Operating Conditions	-30 °C to60°C (-22 °F to140°F), humidity: 95% or less (non-condensing)
Power Supply	DC12V ± 25%, PoE (802.3af)
Power Consumption	Max. 5.5 W/11 W (with -Z)
Ingress Protection	IP67
IR Range	Up to 30 m
Dimensions	91.6 mm ×105 mm ×294.5 mm (3.6"× 4.1"× 11.6")
Weight	1200 g (2.6 lb.)

**Available Models**

DS-2CD1641FWD-I(Z)

**Dimension**



**Accessory**



DS-1260ZJ  
Junction Box



DS-1275ZJ  
Vertical Pole Mounting Bracket



DS-1280ZJ-S  
Junction Box



DS-1276ZJ  
Corner Mounting Bracket

Distributed by



**HIKVISION**

**Headquarters**

No.555 Qianmo Road, Binjiang District,  
Hangzhou 310051, China  
T +86-571-8807-5998  
overseasbusiness@hikvision.com

**Hikvision USA**  
T +1-909-895-0400  
sales.usa@hikvision.com

**Hikvision Italy**  
T +39-0438-6902  
info.it@hikvision.com

**Hikvision Singapore**  
T +65-6684-4718  
sg@hikvision.com

**Hikvision Africa**  
T +27 (10) 0351172  
sale.africa@hikvision.com

**Hikvision Europe**  
T +31-23-55-42-770  
info.eu@hikvision.com

**Hikvision France**  
T +33(0)1-85-330-450  
info.fr@hikvision.com

**Hikvision Oceania**  
T +61-2-8599-4233  
salesau@hikvision.com

**Hikvision Hong Kong**  
T +852-2151-1761

**Hikvision Middle East**  
T +971-4-8816086  
salesme@hikvision.com

**Hikvision Spain**  
T +34-91-737-16-55  
info.es@hikvision.com

**Hikvision Canada**  
T +1-909-895-0400  
sales.usa@hikvision.com

**Hikvision Russia**  
T +7-495-669-67-99  
saleru@hikvision.com

**Hikvision Poland**  
T +48-22-460-01-50  
poland@hikvision.com

**Hikvision Korea**  
T +82-31-731-8841  
sales.korea@hikvision.com

**Hikvision India**  
T +91-22-28469900  
sales@pramahikvision.com

**Hikvision UK**  
T +01628-902140  
support.uk@hikvision.com

**Hikvision Brazil**  
T +55 11 3318-0050  
Latam.support@hikvision.com