

DH-IPC-HF3500

5Megapixel Full HD Network Camera



Features

- 1/2.5" 5Megapixel Progressive Scan Aptina CMOS
- H.264 & MJPEG dual-stream encoding
- Max 8fps@5.0M(2536×1920)&25/30fps@1080P(1920×1080)
- DWDR, Day/Night(ICR), 2DNR, AWB, AGC, BLC
- Multiple network monitoring: Web viewer, CMS(DSS/PSS) & DMSS
- Built-in 1/1 alarm in/out
- PoE(not for -W series); Wi-Fi(-W only)
- SD memory

DH-IPC-HF3500

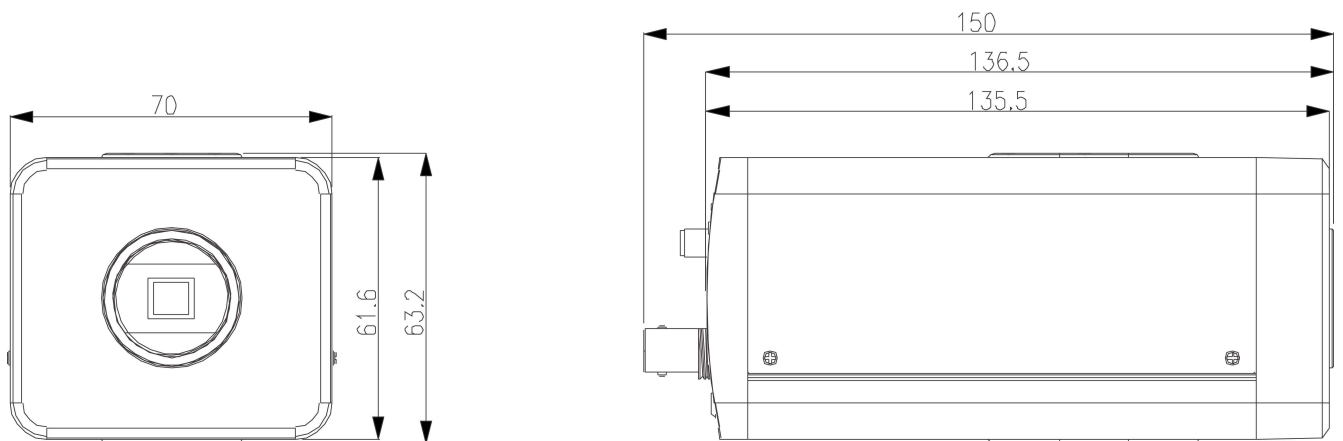
Technical Specifications

Model	IPC-HF3500P	IPC-HF3500P-W	IPC-HF3500N	IPC-HF3500N-W
Camera				
Image Sensor	1/2.5" 5Megapixel Aptina CMOS			
Effective Pixels	2592(H)×1944(V)			
Scanning System	Progressive			
Electronic Shutter Speed	Auto/Manual,1/3~1/10000s		Auto/Manual,1/4~1/10000s	
Min. Illumination	Color: 0.6Lux/F1.2, B/W: 0.08Lux/F1.2			
S/N Ratio	>50dB			
Video Output	1 channel, BNC(1.0Vp-p, 75Ω)			
Camera Features				
Max. IR LEDs Length	N/A			
Day/Night	Auto(ICR) / Color / B/W			
Backlight Compensation	BLC / HLC / DWDR			
White Balance	Auto			
Gain Control	Auto/Manual			
Noise Reduction	2D			
Privacy Masking	Up to 4 areas			
Lens				
Lens Type	N/A			
Mount Type	C/CS			
Video				
Compression	H.264 / MJPEG			
Resolution	5.0M(2560×1920) / 3.0M(2048×1536) / 1080P(1920×1080) / 720P(1280×720) / D1(704×576) / CIF(352×288)		5.0M(2560×1920) / 3.0M(2048×1536) / 1080P(1920×1080) / 720P(1280×720) / D1(704×480) / CIF(352×240)	
Frame Rate	Main Stream	5M(1-8fps)/3M(1-15fps)/1080P/720P(1 ~ 25/30fps)		
	Sub Stream	D1/CIF(1 ~ 25/30fps)		
Bit Rate	H.264: 32K ~ 8192Kbps, MJPEG: 32K ~ 20480Kbps			
Audio				
Compression	G.711a / G.711u(64kbps) / PCM(128kbps)			
Interface	1/1 channel In/Out			
Network				
Ethernet	RJ-45 (10/100Base-T)			
Wi-Fi	N/A	802.11b\g	N/A	802.11b\g
Protocol	IPv4/IPv6, HTTP, HTTPS, SSL, TCP/IP, UDP, UPnP, ICMP, IGMP, SNMP, RTSP, RTP, SMTP, NTP, DHCP, DNS, PPPOE, DDNS, FTP, IP Filter, QoS, Bonjour			
ONVIF	ONVIF Profile S			
Max. User Access	10 users			
Smart Phone	iPhone, iPad, Android, Windows Phone			
Auxiliary Interface				
Memory Slot	SD, Max 64GB			

DH-IPC-HF3500



RS485	1			
Alarm	1/1 channel In/Out			
PIR Sensor Range	N/A			
General				
Power Supply	DC12V/AC24V, PoE(802.3af)	DC12V/AC24V	DC12V/AC24V, PoE(802.3af)	DC12V/AC24V
Power Consumption	<6W			
Working Environment	-10°C~+60°C, 10%~90%			
Ingress Protection	N/A			
Vandal Resistance	N/A			
Dimensions(W×D×H)	70mm×150mm×63.2mm			
Weight	650g			

Dimensions (mm)



DH-IPC-HF3500

Accessories (optional)

	
PFB120W	PFB121W

Dahua Technology Co., Ltd.

1187 BinAn Road, Binjiang District, Hangzhou, China

Tel: +86-571-87688883

Fax: +86-571-87688815

Email: overseas@dahuatech.com

www.dahuatech.com

*Design and specifications are subject to change without notice.

© 2013 Dahua Technology Co., Ltd.