

## DH-HAC-HDW1200M

---

2Megapixel 1080P Water-proof IR HDCVI Mini Dome Camera



### Features

- 1/2.7" 2Megapixel CMOS
- 25/30fps@1080P
- High speed, long distance real-time transmission
- Day/Night(ICR), AWB, AGC, BLC, 2D-DNR
- 3.6mm fixed lens (6mm optional)
- Max. IR LEDs length 20m, Smart IR
- IP66, DC12V

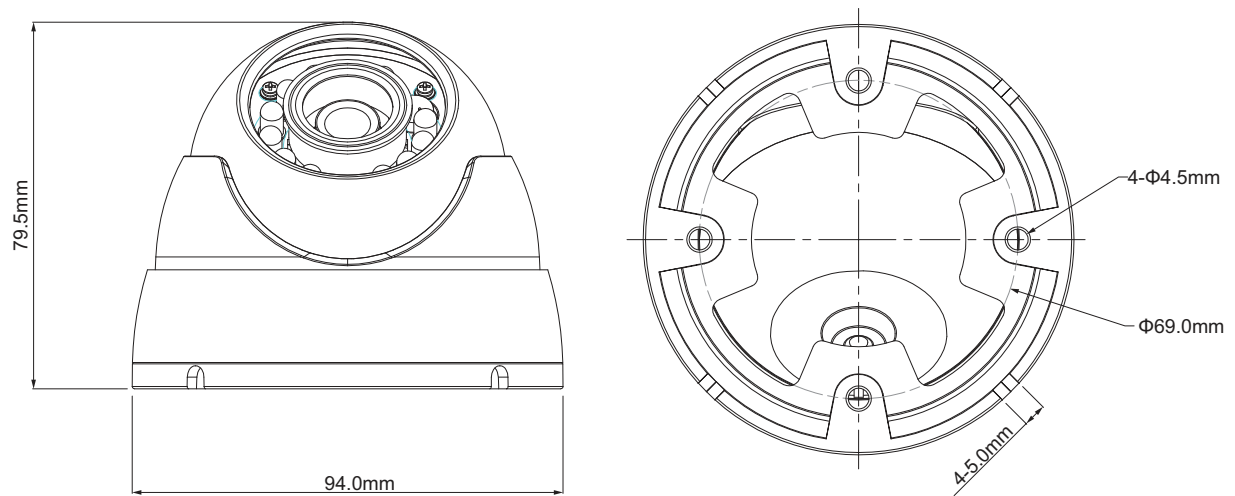
# DH-HAC-HDW1200M

## Technical Specifications


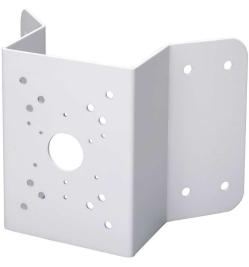

Model	DH-HAC-HDW1200MP	DH-HAC-HDW1200MN
<b>Camera</b>		
Image Sensor	1/2.7" 2Megapixel CMOS	
Effective Pixels	1930(H)×1088(V)	
Electronic Shutter	1/50s~1/100,000s	1/60s~1/100,000s
Video Frame Rate	25fps@1080P	30fps@1080P
Synchronization	Internal	
Min. Illumination	0.01Lux@F1.2(AGC ON), 0Lux IR on	
Video Output	1-channel BNC HDCVI high definition video output	
<b>Camera Features</b>		
Max. IR LEDs Length	20m, Smart IR	
Day/Night	Auto(ICR) / Color / B/W	
Noise Reduction	2D	
<b>Lens</b>		
Focal Length	3.6mm (6mm optional)	
Angle of View	H: 80.6° (57.55°)	
Mount Type	M12	
<b>General</b>		
Power Supply	DC12V±20%	
Power Consumption	Max 2.5W	
Working Environment	-30°C~+60°C / Less than 95%RH (no condensation)	
Transmission Distance	Over 300m via 75-3 coaxial cable	
Ingress Protection	IP66	
Dimensions	Φ94.0mm×79.5mm	
Weight	0.35kg	
Material	Metal	

# DH-HAC-HDW1200M

## Dimensions (mm)



## Accessories (optional)

		
PFA121	PFA151	PFA152

### Dahua Technology Co., Ltd.

1187 BinAn Road, Binjiang District, Hangzhou, China

Tel: +86-571-87688883

Fax: +86-571-87688815

Email: [overseas@dahuatech.com](mailto:overseas@dahuatech.com)

[www.dahuasecurity.com](http://www.dahuasecurity.com)

\*Design and specifications are subject to change without notice.

© 2013 Dahua Technology