

**HIKVISION**



## **HD-TVI Speed Dome**

Quick Start Guide

*UD05896B*

### **Quick Start Guide**

COPYRIGHT ©2017 Hangzhou Hikvision Digital Technology Co., Ltd.

#### **ALL RIGHTS RESERVED.**

Any and all information, including, among others, wordings, pictures, graphs are the properties of Hangzhou Hikvision Digital Technology Co., Ltd. or its subsidiaries (hereinafter referred to be “Hikvision”). This user manual (hereinafter referred to be “the Manual”) cannot be reproduced, changed, translated, or distributed, partially or wholly, by any means, without the prior written permission of Hikvision. Unless otherwise stipulated, Hikvision does not make any warranties, guarantees or representations, express or implied, regarding to the Manual.

#### **About this Manual**

This Manual is applicable to HD-TVI Speed Dome.

The Manual includes instructions for using and managing the product. Pictures, charts, images and all other information hereinafter are for description and explanation only. The information contained in the Manual is subject to change, without notice, due to firmware updates or other reasons. Please find the latest version in the company website (<http://overseas.hikvision.com/en/>). Please use this user manual under the guidance of professionals.

#### **Trademarks Acknowledgement**

**HIKVISION** and other Hikvision's trademarks and logos are the properties of Hikvision in various jurisdictions. Other trademarks and logos mentioned below are the properties of their respective owners.

#### **Legal Disclaimer**

TO THE MAXIMUM EXTENT PERMITTED BY APPLICABLE LAW, THE PRODUCT DESCRIBED, WITH ITS HARDWARE, SOFTWARE AND FIRMWARE, IS PROVIDED “AS IS”, WITH ALL FAULTS AND ERRORS, AND HIKVISION MAKES NO WARRANTIES, EXPRESS OR IMPLIED, INCLUDING WITHOUT LIMITATION, MERCHANTABILITY, SATISFACTORY QUALITY, FITNESS FOR A PARTICULAR PURPOSE, AND NON-INFRINGEMENT OF THIRD PARTY. IN NO EVENT WILL HIKVISION, ITS DIRECTORS, OFFICERS, EMPLOYEES, OR AGENTS BE LIABLE TO YOU FOR ANY SPECIAL, CONSEQUENTIAL, INCIDENTAL, OR INDIRECT DAMAGES, INCLUDING, AMONG OTHERS, DAMAGES FOR LOSS OF BUSINESS PROFITS, BUSINESS INTERRUPTION, OR LOSS OF DATA OR DOCUMENTATION, IN CONNECTION WITH THE USE OF THIS PRODUCT, EVEN IF HIKVISION HAS BEEN ADVISED OF THE POSSIBILITY OF SUCH DAMAGES.

REGARDING TO THE PRODUCT WITH INTERNET ACCESS, THE USE OF PRODUCT SHALL BE WHOLLY AT YOUR OWN RISKS. HIKVISION SHALL NOT TAKE ANY RESPONSIBILITIES FOR ABNORMAL OPERATION, PRIVACY LEAKAGE OR OTHER DAMAGES RESULTING FROM CYBER ATTACK, HACKER ATTACK, VIRUS INSPECTION, OR OTHER INTERNET SECURITY RISKS; HOWEVER, HIKVISION WILL PROVIDE TIMELY TECHNICAL SUPPORT IF REQUIRED.

SURVEILLANCE LAWS VARY BY JURISDICTION. PLEASE CHECK ALL RELEVANT LAWS IN YOUR JURISDICTION BEFORE USING THIS PRODUCT IN ORDER TO ENSURE THAT YOUR USE CONFORMS THE APPLICABLE LAW. HIKVISION SHALL NOT BE LIABLE IN THE EVENT THAT THIS PRODUCT IS USED WITH ILLEGITIMATE PURPOSES.

IN THE EVENT OF ANY CONFLICTS BETWEEN THIS MANUAL AND THE APPLICABLE LAW, THE LATER PREVAILS.

#### **Regulatory Information**

##### **FCC Information**

**FCC compliance:** This equipment has been tested and found to comply with the limits for a digital device, pursuant to part 15 of the FCC Rules. These limits are designed to provide reasonable protection against harmful interference when the equipment is operated in a commercial

environment. This equipment generates, uses, and can radiate radio frequency energy and, if not installed and used in accordance with the instruction manual, may cause harmful interference to radio communications. Operation of this equipment in a residential area is likely to cause harmful interference in which case the user will be required to correct the interference at his own expense.

### FCC Conditions

This device complies with part 15 of the FCC Rules. Operation is subject to the following two conditions:

1. This device may not cause harmful interference.
2. This device must accept any interference received, including interference that may cause undesired operation.

### EU Conformity Statement



This product and - if applicable - the supplied accessories too are marked with "CE" and comply therefore with the applicable harmonized European standards listed under the EMC Directive 2014/30/EU, the RoHS Directive 2011/65/EU.



2012/19/EU (WEEE directive): Products marked with this symbol cannot be disposed of as unsorted municipal waste in the European Union. For proper recycling, return this product to your local supplier upon the purchase of equivalent new equipment, or dispose of it at designated collection points. For more information see: [www.recyclethis.info](http://www.recyclethis.info).

2006/66/EC (battery directive): This product contains a battery that cannot be disposed of as unsorted municipal waste in the European Union. See the product documentation for specific battery information. The battery is marked with this symbol, which may include lettering to

indicate cadmium (Cd), lead (Pb), or mercury (Hg). For proper recycling, return the battery to your supplier or to a designated collection point. For more information see: [www.recyclethis.info](http://www.recyclethis.info).

### Industry Canada ICES-003 Compliance

This device meets the CAN ICES-3 (A)/NMB-3(A) standards requirements



## Safety Instruction

These instructions are intended to ensure that user can use the product correctly to avoid danger or property loss.

The precaution measure is divided into “Warnings” and “Cautions”

**Warnings:** Serious injury or death may occur if any of the warnings are neglected.

**Cautions:** Injury or equipment damage may occur if any of the cautions are neglected.

	
<b>Warnings</b> Follow these safeguards to prevent serious injury or death.	<b>Cautions</b> Follow these precautions to prevent potential injury or material damage.



### Warnings

- All the electronic operation should be strictly compliance with the electrical safety regulations, fire prevention regulations and other related regulations in your local region.
- Please use the power adapter, which is provided by normal company. The standard of the power adapter is 24VAC±10% or 12VDC±10% (depending on models). The power consumption cannot be less than the required value.
- Do not connect several devices to one power adapter as adapter overload may cause over-heat or fire hazard.
- Please make sure that the power has been disconnected before you wire, install or dismantle the speed dome.
- When the product is installed on wall or ceiling, the device shall be firmly fixed.
- If smoke, odors or noise rise from the device, turn off the power at once and unplug the power cable, and then please contact the service center.
- If the product does not work properly, please contact your dealer or the nearest service center. Never attempt to disassemble the speed dome yourself. (We shall not assume any responsibility for problems caused by unauthorized repair or maintenance.)



### Cautions

- Do not drop the dome or subject it to physical shock, and do not expose it to high electromagnetism radiation. Avoid the equipment installation on vibrations surface or places subject to shock (ignorance can cause equipment damage).
- Do not place the dome in extremely hot, cold, dusty or damp locations, otherwise fire or electrical shock will occur. The operating temperature should be -30°C ~ 65°C(outdoor speed dome) and -10°C ~ 50°C (indoor speed dome).
- The dome cover for indoor use shall be kept from rain and moisture.
- Exposing the equipment to direct sun light, low ventilation or heat source such as heater or radiator is forbidden (ignorance can cause fire danger).

## HD-TVI Speed Dome ▪ Quick Start Guide

---

- Do not aim the speed dome at the sun or extra bright places. A blooming or smear may occur otherwise (which is not a malfunction however), and affecting the endurance of sensor at the same time.
- Please use the provided glove when open up the dome cover, avoid direct contact with the dome cover, because the acidic sweat of the fingers may erode the surface coating of the dome cover.
- Please use a soft and dry cloth when clean inside and outside surfaces of the dome cover, do not use alkaline detergents.
- Please keep all wrappers after unpack them for future use. In case of any failure occurred, you need to return the speed dome to the factory with the original wrapper. Transportation without the original wrapper may result in damage on the speed dome and lead to additional costs.

0302901070602

## Table of Contents

<b>1 Installation .....</b>	<b>1</b>
1.1 Connecting the Cables.....	1
1.2 DIP Switch Settings .....	2
1.2.1 Mini Speed Dome Settings .....	2
1.2.2 5-inch Speed Dome Settings.....	4
1.2.3 Mini IR & 5-inch IR & 6-inch IR Speed Dome Settings .....	7
1.2.4 7-inch IR Speed Dome Settings.....	10
1.3 Wiring and Installation .....	12
1.3.1 Wiring.....	13
1.3.2 Installing the Bracket .....	13
1.3.3 Setting the DIP Switch .....	14
1.3.4 Installing the Speed Dome.....	14
<b>2 In-door Mounting Applications .....</b>	<b>16</b>
2.1 5-inch Speed Dome In-ceiling Mounting Applications .....	16
2.2 5-inch Speed Dome Ceiling Mounting Applications.....	18
2.2.1 Removing the Mounting Bracket .....	18
2.2.2 Wiring.....	19
2.2.3 Ceiling Mounting .....	19
2.3 Mini Speed Dome In-ceiling Mounting Applications.....	21
2.4 Mini Speed Dome Ceiling Mounting Applications .....	23
2.4.1 Wiring.....	23
2.4.2 Ceiling Mounting .....	24
<b>3 Application and Operations.....</b>	<b>26</b>
3.1 System Application .....	26
3.2 Basic Operations.....	26
3.2.1 Configuring Patrol.....	27
3.2.2 Configuring Park Actions .....	30
<b>4 Troubleshooting .....</b>	<b>32</b>
4.1 Device Exceptions.....	32
4.2 PTZ Control Exceptions .....	32
4.3 Other Questions .....	32

# 1 Installation

## Before you start:

Check the package contents and make sure that the device in the package is in good condition and all the assembly parts are included.

There are several ways to install the analog speed dome. The wall mounting is taken as an example below.

## 1.1 Connecting the Cables

Please turn the power off before connecting the cables.

The cable interfaces of speed dome are shown in following figure. The cables are distinguished by different colors. The labels attached on the cables are for identification.



The Figure 1-1 contains all the possible cables, and they may vary according to different camera models. Refer to the actual device for the specific cables.

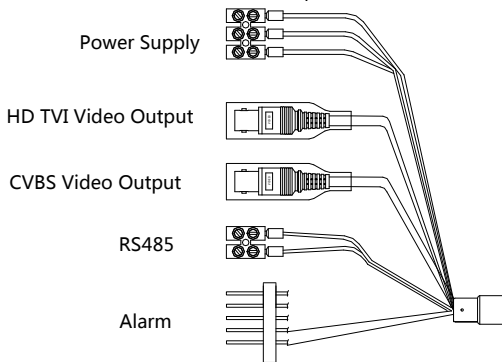


Figure 1-1 Cables

Table 1-1 Cables Description

Name	Description
Power Supply	AC 24 V/DC 12 V
HD TVI Video Output	HD TVI and coaxial video output
CVBS Video Output	SD analog video output
RS-485	485 control
Alarm	Alarm input and alarm output

## 1.2 DIP Switch Settings

### 1.2.1 Mini Speed Dome Settings

The DIP switch is for setting the speed dome address, baudrate, protocol, TVI mode, and terminal resistor, with value OFF=0. The mini speed dome's DIP switch is shown in Figure1-2.

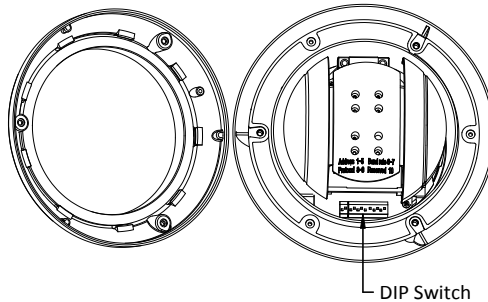


Figure 1-2 DIP Switch of Mini Analog Speed Dome



Figure 1-3 Enlarged View of DIP Switch



- For some certain models, the two individual DIP switches are at the left side of the Figure1-3 for turning on/off the terminal resistor.
- The default address is 0, the default baudrate is 2400, and the default terminal resistor is OFF.

Table 1-2 Switch Functions

Switch No.	Function
1, 2 (SW2)	Set the terminal resistor
1 to 5 (SW1)	Set the address for the speed dome
6, 7 (SW1)	Set the baudrate for the speed dome
8, 9 (SW1)	Set the protocol for the speed dome
10 (SW1)	Set the TVI mode for the speed dome

- **Address Settings**



## HD-TVI Speed Dome • Quick Start Guide

The No.1 to No.5 DIP switches are for setting the address of speed dome, with value ON=1, 2, 3, 4, 5 standing respectively for 1, 2, 4, 8, 16, and OFF=0. You can refer to Table 1-3 for setting the address.

Table 1-3 Set Dome Address

Switch Dome Address	1	2	3	4	5
0	OFF	OFF	OFF	OFF	OFF
1	ON	OFF	OFF	OFF	OFF
2	OFF	ON	OFF	OFF	OFF
3	ON	ON	OFF	OFF	OFF
4	OFF	OFF	ON	OFF	OFF
...	...	...	...	...	...
31	ON	ON	ON	ON	ON

### ● Baudrate Settings

The No.6 and No.7 DIP switches are for setting the baudrate. You can refer to Table 1-4 for setting the baudrate.

Table 1-4 Set Baudrate

Switch No.	6	7
Baudrate		
2400	OFF	OFF
4800	ON	OFF
9600	OFF	ON
19200	ON	ON

### ● Protocol Settings

The No.8 and No.9 DIP switches are for setting the protocol of the speed dome. You can refer to Table 1-5 for setting the protocol.

Table 1-5 Set Protocol

Switch No.	8	9
Protocol		
Self-adaptive	OFF	OFF
Pelco_P	ON	OFF

Switch No. Protocol	8	9
MAN_BOSCH	OFF	ON
MAN_AD	ON	ON



The speed dome is self-adaptive to private protocol when the No.8 and No.9 switches are both OFF.

### ● TVI Mode Settings

The No.10 DIP switch is for setting the TVI mode of the speed dome. You can refer to Table 1-6 for setting the TVI mode.

Table 1-6 Set TVI Mode

Switch No. TVI Mode	10
TVI 2.0	OFF
TVI 1.0	ON

### ● Terminal Resistor Settings

The two individual DIP switches, No.1 and No.2, are used for turning on/off the 120Ω terminal resistor. You can refer to Table 1-7 for setting the terminal resistor.

Table 1-7 Set Terminal Resistor

Switch No.	1	2
Turn on the Resistor	ON	ON
Turn off the Resistor	OFF	OFF

## 1.2.2 5-inch Speed Dome Settings

The DIP switch is used for setting the address, protocol, TVI mode, and baudrate for the speed dome, with value OFF=0. The 5-inch speed domes' DIP switches are shown in Figure 1-4 and Figure 1-5.

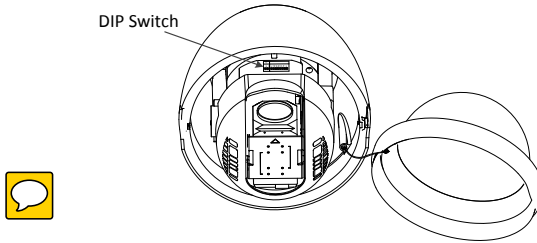


Figure 1-4 DIP Switch for 5-inch Outdoor Speed Dome

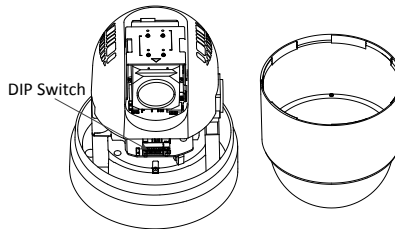


Figure 1-5 DIP Switch for 5-inch Indoor Speed Dome



Figure 1-6 Enlarged View of DIP Switch



- The default address is 0. The default baudrate is 2400.
- The speed dome is self-adaptive to the Pelco-P, Pelco-D, and Private-Code. You don't have to set the RS-485 control protocol by the DIP switch.
- **Address Settings**

The No.1 to No.5 DIP switches are for setting the address of speed dome, with value ON=1, 2, 3, 4, 5 standing respectively for 1, 2, 4, 8, 16, and OFF=0. You can refer to Table 1-8 for setting the address.

Table 1-8 Set Dome Address

Switch No. / Dome Address	1	2	3	4	5
0	OFF	OFF	OFF	OFF	OFF
1	ON	OFF	OFF	OFF	OFF
2	OFF	ON	OFF	OFF	OFF

## HD-TVI Speed Dome • Quick Start Guide

Switch No. Dome Address	1	2	3	4	5
3	ON	ON	OFF	OFF	OFF
4	OFF	OFF	ON	OFF	OFF
...	...	...	...	...	...
31	ON	ON	ON	ON	ON

### ● Protocol Settings

The No.6 and No.7 DIP switches are for setting the protocol of the speed dome. You can refer to Table 1-9 for setting the protocol.

Table 1-9 Set Protocol

Switch No. Protocol	6	7
Self-adaptive	OFF	OFF
PELCO_P	ON	OFF
MAN_BOSCH	OFF	ON
MAN_AD	ON	ON

### ● TVI Mode Settings

The No.8 DIP switch is for setting the TVI mode of the speed dome. You can refer to Table 1-10 for setting the TVI mode.

Table 1-10 Set TVI Mode

Switch No. Description	8
TVI 2.0	OFF
TVI 1.0	ON

### ● Baudrate Settings

The individual DIP switches, No. 1 and No.2, are used for setting the baudrate of the speed dome. The baudrate can be 2400bps, 4800bps, 9600bps, and 19200bps. The baudrate will be set as 2400bps by default if it is out of this range. Refer to the following table for details.

Table 1-11 Set Baudrate

Switch No. / Baudrate	1	2
2400	OFF	OFF
4800	ON	OFF
9600	OFF	ON
19200	ON	ON

### 1.2.3 Mini IR & 5-inch IR & 6-inch IR Speed Dome Settings

The DIP switch is used for setting the speed dome address, baudrate, protocol, TVI mode, and terminal resistor, with value OFF=0.

DIP switch of mini IR speed dome is shown in figure1-7, the DIP switch of 5-inch IR speed dome is shown in Figure 1-8, and the DIP switch of 6-inch IR speed dome is shown in Figure 1-9.

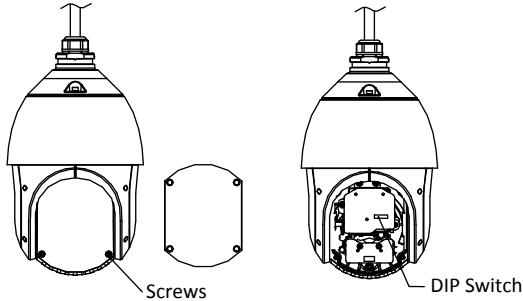


Figure 1-7 DIP Switch of Mini IR Speed Dome

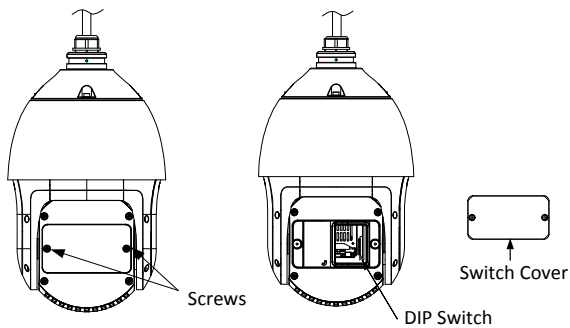


Figure 1-8 DIP Switch of 5-inch IR Speed Dome

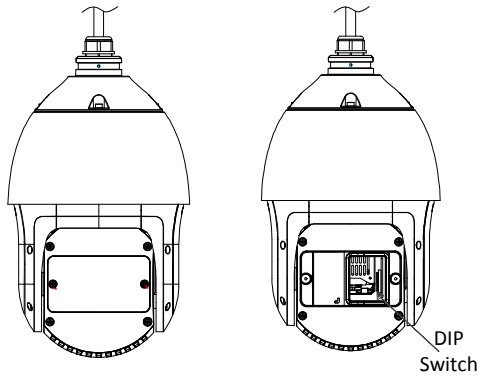


Figure 1-9 DIP Switch of 6-inch IR Speed Dome

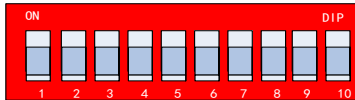


Figure 1-10 Enlarged View of DIP Switch



The default address is 0, the default baudrate is 2400, and the default terminal resistor is OFF.

Table 1-12 Switch Functions

Switch No.	Function
1 to 5	Set the address for the speed dome
6, 7	Set the baudrate for the speed dome
8	Set the protocol for the speed dome
9	Set the TVI mode for the speed dome
10	Set the terminal resistor for the speed dome

### ● Address Settings

The No.1 to No.5 DIP switches are for setting the address of speed dome, with value ON=1, 2, 3, 4, 5 standing respectively for 1, 2, 4, 8, 16, and OFF=0. You can refer to Table 1-13 for setting the address.

Table 1-13 Set Dome Address

Switch No. Dome Address	1	2	3	4	5
0	OFF	OFF	OFF	OFF	OFF
1	ON	OFF	OFF	OFF	OFF
2	OFF	ON	OFF	OFF	OFF
3	ON	ON	OFF	OFF	OFF
4	OFF	OFF	ON	OFF	OFF
...	...	...	...	...	...
31	ON	ON	ON	ON	ON

### ● Baudrate Settings

The No.6 and No.7 DIP switches are for setting the baudrate. The baudrate will be set as 2400bps by default, if it is out of this range. Refer to the following table for setting the baudrate.

Table 1-14 Set Baudrate

Switch No. Baudrate	6	7
2400	OFF	OFF
4800	ON	OFF
9600	OFF	ON
19200	ON	ON

### ● Protocol Settings

The No.8 DIP switch is for setting the protocol. Refer to the following table for setting the protocol.

Table 1-15 Set Protocol

Protocol	8
Self-adaptive	OFF
MAN_AD	ON



The speed dome is self-adaptive to private protocol when the No.8 switch is OFF.

### ● TVI Mode Settings

The No.9 DIP switch is for setting the TVI Mode of the speed dome. You can refer to Table 1-16 for setting the protocol.

Table 1-16 Set TVI Mode

Switch No.	9
Description	
TVI 2.0	OFF
TVI 1.0	ON

● **Terminal Resistor Settings**

The No. 10 DIP switch is for turning on/off the 120Ω terminal resistor. You can refer to Table 1-17 for setting the terminal resistor.

Table 1-17 Set Terminal Resistor

Switch No.	10
Description	
Turn on the resistor	ON
Turn off the resistor	OFF

**1.2.4 7-inch IR Speed Dome Settings**

Two DIP switches, SW1 and SW2, are for setting the speed dome address, baudrate, protocol, communication mode, TVI mode, and terminal resistor, with value OFF=0. The DIP switch of the speed dome is shown as Figure 1-11.

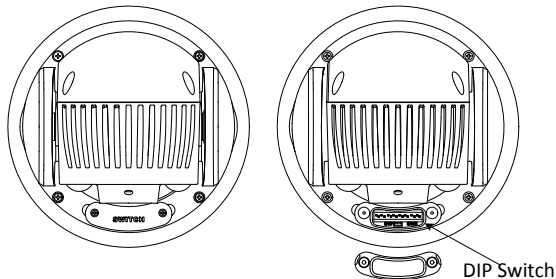


Figure 1-11 Label of DIP Switch for IR Speed Dome



Figure 1-12 Enlarged View of DIP Switch





The default address is 0, the default baudrate is 2400, and the default terminal resistor is OFF.

### ● Address Settings

The SW1 switch is used for setting the address of speed dome, with value ON=1, 2, 3, 4, 5, 6, 7 standing respectively for 1, 2, 4, 8, 16, 32, 64, 128, and OFF=0. You can refer to the Table 1-18 for setting the address.

Table 1-18 Set Dome Address

Dome Address	1	2	3	4	5	6	7	8
0	OFF	OFF	OFF	OFF	OFF	OFF	OFF	OFF
1	ON	OFF	OFF	OFF	OFF	OFF	OFF	OFF
2	OFF	ON	OFF	OFF	OFF	OFF	OFF	OFF
3	ON	ON	OFF	OFF	OFF	OFF	OFF	OFF
...	...	...	...	...	...	...	...	...
255	ON	ON	ON	ON	ON	ON	ON	ON

### ● Baudrate Settings

The No.1 and No.2 SW2 switches are for setting the baudrate of the speed dome. The baudrate can be 2400bps, 4800bps, 9600bps, and 19200bps. The baudrate will be set as 2400bps by default if it is out of this range. Refer to the following table for details.

Table 1-19 Set Baudrate

DIP Switch SW2-Baudrate Settings		
Baudrate	1	2
2400	OFF	OFF
4800	ON	OFF
9600	OFF	ON
19200	ON	ON

### ● Protocol Settings

The No. 3 to No. 5 SW2 switches are for setting the protocol of the speed dome. Refer to the following table for setting the protocol.

Table 1-20 Set Protocol

DIP Switch SW2-Protocol Settings			
Protocol	3	4	5

<b>DIP Switch SW2-Protocol Settings</b>			
Self-adaptive	OFF	OFF	OFF
PELCO_P	ON	OFF	OFF
PELCO_D	OFF	ON	OFF
HIKVISION	ON	ON	OFF
MAN_BOSCH	OFF	ON	ON
MAN_AD	ON	ON	ON

● **Communication Mode Settings**

The No.6 SW2 switch is for setting the RS485 communication mode, and half-duplex is the only mode.



Half-duplex is the default mode.

● **TVI Mode Settings**

The No.7 SW2 switch is for setting the TVI mode of the speed dome. You can refer to Table 1-22 for setting the TVI mode.

Table 1-21 Set TVI Mode

<b>Switch No.</b>	<b>7</b>
<b>Description</b>	
TVI 2.0	OFF
TVI 1.0	ON

● **Terminal Resistor Settings**

The No. 8 SW2 switch is for turning on/off the 120Ω terminal resistor. You can refer to Table 1-23 for setting the terminal resistor.

Table 1-22 Set Terminal Resistor

<b>Switch No.</b>	<b>8</b>
<b>Description</b>	
Turn on the resistor	ON
Turn off the resistor	OFF

## 1.3 Wiring and Installation

There are several ways to install the speed dome. Here we take wall mounting as the example.

### 1.3.1 Wiring

Check the installation environment and cables before wiring.

- Get familiar with the installation environment before wiring, including the wiring distance, surrounding, electromagnetic interference, etc..
- Choose the cable with nominal voltage higher than the actual voltage to guarantee a normal running.
- To protect the power cable and the signal transmitting cable from human tampering, you should pay attention to the protection and reinforcement of the cables.
- When wiring, do not tighten the wire or loosen the wire.

The wiring of the speed dome should be performed by professionals.

### 1.3.2 Installing the Bracket

#### **Before you start:**

Wall mounting is applicable for the indoor/outdoor solid wall. The followings are the mandatory precondition for wall mounting:

- The wall must be thick enough to install the expansion screws.
- Make sure that the wall is strong enough to withstand more than 8 times the weight of the dome and the bracket.

#### **Steps:**

1. Check whether the type of the bracket and the number of accessories are right, as shown in the figure below.

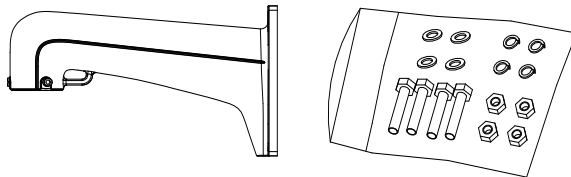


Figure 1-13 Wall Mounting Bracket, Nuts and Flat Washers

2. Drill 4 screw holes in the wall according to the holes of the bracket, and then insert M8 expansion screws (not supplied) into the screw holes.

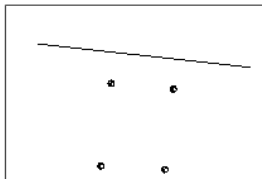


Figure 1-14 Drill Mounting Holes

3. Attach the wall mounting bracket to the wall by aligning the 4 screw holes of the bracket with expansion screws on the wall.
4. Secure the wall bracket with 4 hex nuts and washers.

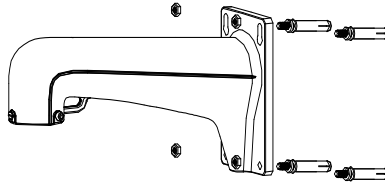


Figure 1-15 Secure the Mount

5. Install the speed dome to the bracket. Refer to *Section 1.3.4 Installing the Speed Dome* for installation details.



Follow the same instructions described above for the short-arm wall mounting. For outdoor applications, please adopt the water-proof measures. The short-arm wall mount is not recommended for outdoor applications.

### 1.3.3 Setting the DIP Switch

Set the address and baudrate for the speed dome. The default value of DIP switch is shown below:

- ◆ **Address: 0**
- ◆ **Baudrate:2400**
- ◆ **Terminal Resistor: OFF**

Please refer to the *Section 1.2 DIP Switch Settings* for DIP switch settings.

### 1.3.4 Installing the Speed Dome



The sketches of installing the speed dome are for reference only.

#### **Steps:**

1. Hang the safety rope to the speed dome and then hook to the mount as shown in Figure 1-16 (left).
2. Route the cables of the speed dome through the wall mounting bracket.
3. Connect the corresponding video/power/RS-485 cables.
4. Install the speed dome to the bracket, and secure the speed dome by rotating the speed dome clockwise.
5. Fasten the two lock screws with the Allen wrench, as shown in Figure 1-16 (right).

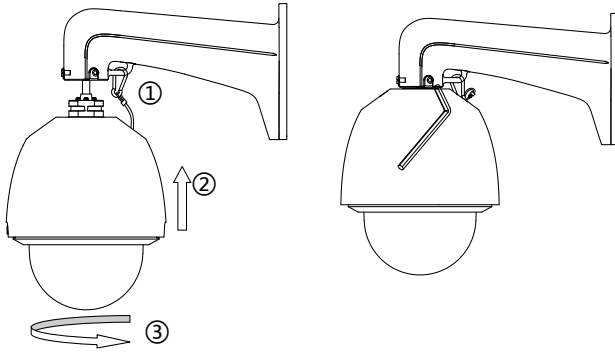


Figure 1-16 Install the Speed Dome

## 2 In-door Mounting Applications

### Before you start:



- For cement wall, you need to use the expansion screw to fix the mount. The mounting hole of the expansion pipe on the wall should align with the mounting hole on the mount.
- For wooden wall, you can just use the self-tapping screw to fix the mount.

### 2.1 5-inch Speed Dome In-ceiling Mounting Applications



#### Before you start:

The in-ceiling mounting is applicable to the indoor ceiling construction. The followings are the mandatory precondition for mounting:

- The height of the space above the ceiling must be more than 250mm.
- The thickness of the ceiling must ranges from 5 to 40mm.
- The ceiling must be strong enough to withstand more than 4 times the weight of the dome and its accessories.

#### Steps:

1. Rotate the lower dome counterclockwise to separate it from the back box as shown in Figure 2-1.
2. Remove the protective lens cover, foam and sticker from the dome drive.
3. Set the address and baudrate for the analog speed dome. Please refer to the *Section 1.2.2 5-inch Speed Dome Settings* for DIP switch settings.
4. Attach lower dome to the back box, and rotate clockwise to secure it.

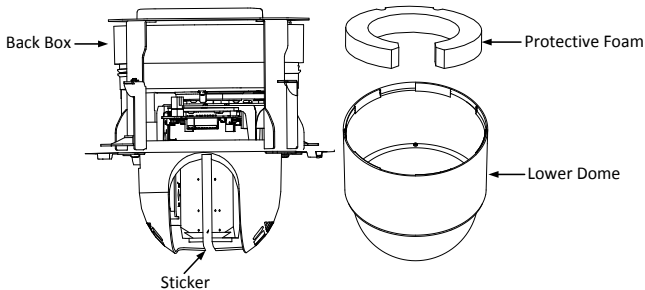


Figure 2-1 Remove the Protective Accessory

5. Drill a hole on the ceiling according to the drill template (supplied).



± 2mm of the diameter of the circle is tolerable.

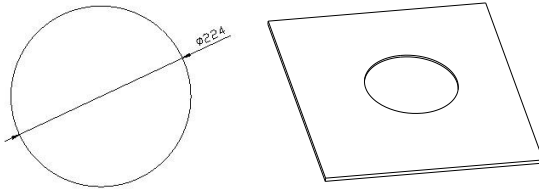


Figure 2-2 Draw and Cut Hole on the Ceiling

### 6. Connect the cables.

Make sure the video cable and control wire have been connected to the corresponding interfaces. Connect the power cable and the red LED indicator turns on when the power is on.



Please turn the power off after checking the speed dome.

### 7. Install the speed dome.

- (1) Loosen the two lock screws on both sides of the back box and make the locks in internal position, as shown in the following figure:

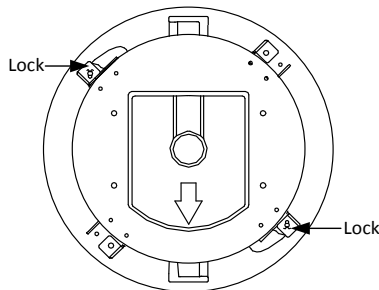


Figure 2-3 Locks and Lock Screws

- (2) Push the back box into the mounting hole in the ceiling.
- (3) Tighten the lock screws with the screwdriver and the locks will automatically rotate outwards to secure the in-ceiling mount to the ceiling.

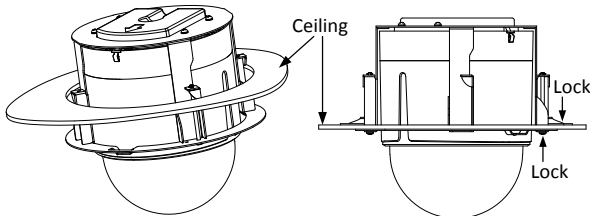


Figure 2-4 Install the back box

### 8. Install the trim ring.

- (1) Attach the trim ring to the lower dome and align the triangular notch of the trim ring with the arrow label on the in-ceiling mount.
- (2) After having firmly placed the trim ring to the ceiling, rotate the trim ring in the direction of arrow to secure the trim ring in place.



- Please remove the protective film on the lower dome after the installation is finished.
- In order to obtain clear video images, please wear the anti-static gloves when you install the speed dome.

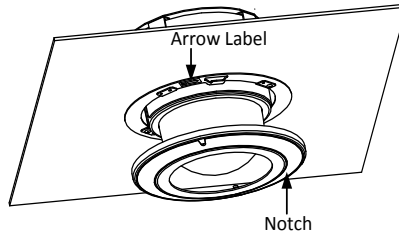


Figure 2-5 Install the Trim Ring

## 2.2 5-inch Speed Dome Ceiling Mounting Applications

### *Before you start:*

The ceiling mounting is applicable to the indoor/outdoor solid ceiling construction. The followings are the mandatory precondition for ceiling mounting:

- The thickness of the ceiling must range from 5 to 40mm.
- The ceiling must be strong enough to withstand more than 4 times the weight of the dome and its accessories.

### 2.2.1 Removing the Mounting Bracket

It is required to modify the external structure of the in-ceiling mounting speed dome before the operation of ceiling mounting.

#### **Steps:**

1. Remove the 4 screws on the back box by a Phillips screwdriver.

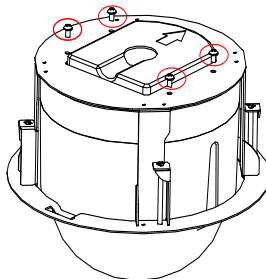




Figure 2-6 Remove 4 screws

2. Remove the in-ceiling mounting bracket.

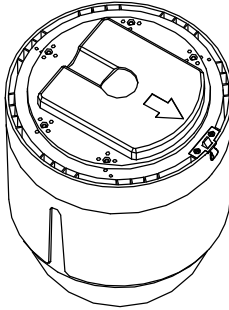


Figure 2-7 Remove the in-ceiling mounting bracket

3. Screw 4 bolts onto the back box by a Phillips screwdriver.

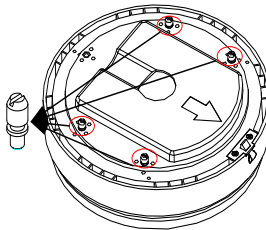


Figure 2-8 Install the bolts

### 2.2.2 Wiring

The cables of dome can be routed either from the top or the side of the back box. For the cables routed from the top of the back box, it is required to drill a cable hole in the ceiling.

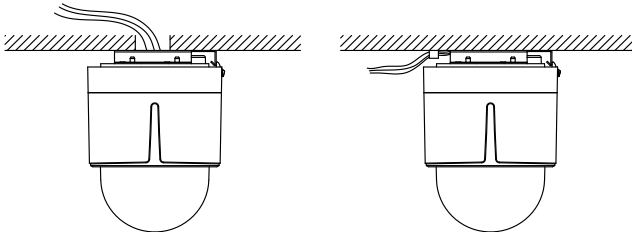


Figure 2-9 Cabling for Ceiling Mounting

### 2.2.3 Ceiling Mounting

**Steps:**

1. Rotate the lower dome counterclockwise to separate it from the back box. Refer to the Figure 2-1.
2. Remove the protective lens cover, foam and sticker from the dome drive.
3. Set the address and baudrate for the analog speed dome. Please refer to the *Section 1.2.1 5-inch Speed Dome Settings* for DIP switch settings.
4. Attach lower dome to the back box, and rotate clockwise to secure it.
5. Use the mounting base as a template to mark four screw holes onto the ceiling.
6. If you route cables from the top of the back box, mark the cable hole on the ceiling and drill a hole.

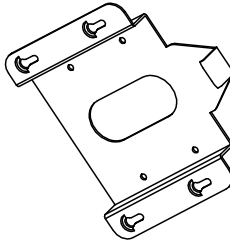


Figure 2-10 Mark the Screw Positions

7. Secure the mounting base to the ceiling with set screws.
  - If the speed dome is installed to the wooden wall, use the self-tapping screws to secure the mounting base.
  - If the dome is installed to the cement wall, drill three  $\Phi 5$  mounting holes onto the wall according to the hole locations, and then insert the cement screws into the holes and finally use self-tapping screws to secure the mounting base to the wall.

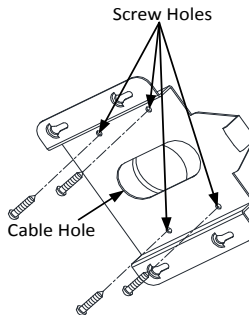


Figure 2-11 Secure the Mounting Base

8. Install the speed dome to the mounting base.
  - (1) Route the cables for the speed dome. Align the bottom of the speed dome with the mounting base.
  - (2) Line up the direction of arrow with the spring end of the mounting base.
  - (3) Push the speed dome upwards and then forwards in the direction of arrow. When the speed dome is placed in position, the spring will automatically snap into the lock clip firmly. Refer to

the following figure.

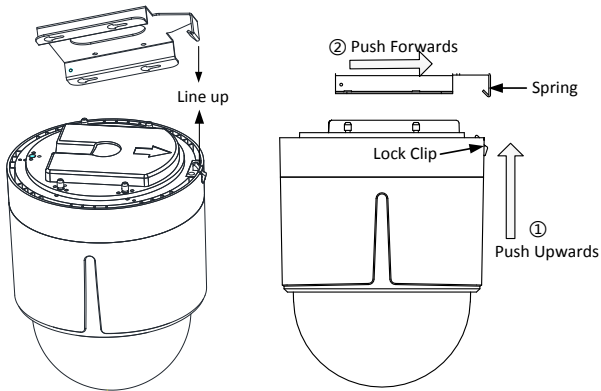


Figure 2-12 Attach the Back Box to the Mounting Base



- Please remove the protective film on the lower dome after the installation is finished.
- Do not touch the bubble of the lower dome directly by hand. The image blurs otherwise.

## 2.3 Mini Speed Dome In-ceiling Mounting Applications

### *Before you start:*

The in-ceiling mounting is applicable to the indoor ceiling construction. The followings are the mandatory precondition for mounting:

- The height of the space above the ceiling must be more than 250mm.
- The ceiling must be with the thickness between 5 and 40mm.
- The ceiling must be strong enough to withstand more than 4 times the weight of the dome and its accessories.

### *Steps:*

1. Drill holes in the ceiling.
  - (1) Attach the drill template to the ceiling where you need to install the speed dome.
  - (2) Cut a hole and drill screw holes according to the drill template.



± 2mm of the diameter of the circle is tolerable.

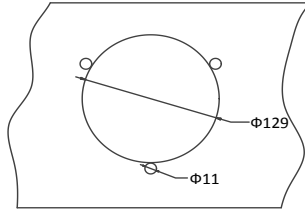


Figure 2-13 Drill Holes

2. Disassemble the speed dome.

- (1) Loosen three screws as shown in the following figure.
- (2) Remove the lower dome.
- (3) Loosen three screws and remove the back box.
- (4) Remove the protective lens cover, foam and sticker from the dome drive.

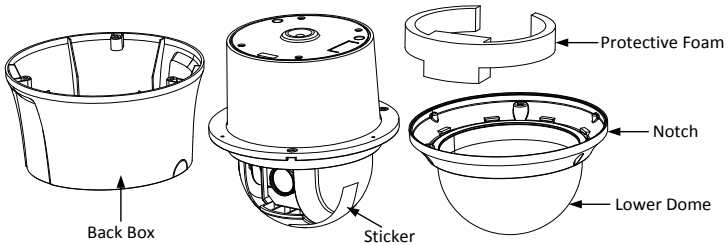


Figure 2-14 Disassemble the Speed Dome

3. Install the toggle bolts.

- (1) Remove the toggle from the toggle bolt.
- (2) Insert the bolts into the screw holes on the dome.
- (3) Rotate the bolts through the screw holes.
- (4) Reinstall the toggles as shown in Figure 2-15.

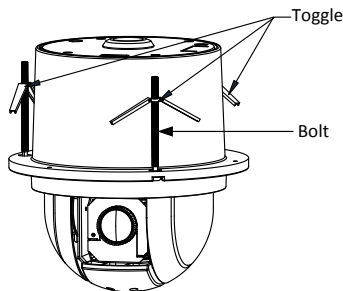


Figure 2-15 Install the Toggle Bolts

4. Align the toggle bolts with the screw holes on the ceiling.
5. Push the dome to the mounting hole on the ceiling.

- Rotate the bolts again. The toggle will automatically rotate down to secure the dome to the ceiling.

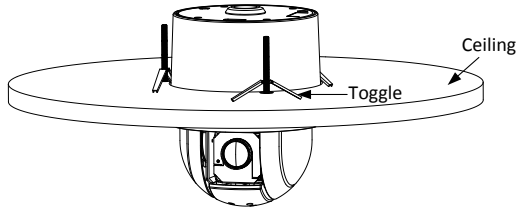


Figure 2-16 Install the Dome to the Ceiling

- Secure the lower dome to the back box with three screws as shown in Figure 2-17.

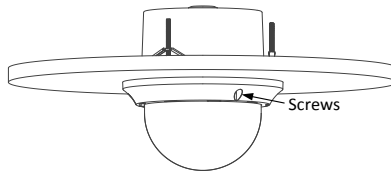


Figure 2-17 Install the Lower Dome

- Route the cables through the ceiling for the speed dome. Please refer to the *section 1.1 Connecting the Cables* to connect the cables.

## 2.4 Mini Speed Dome Ceiling Mounting Applications

### **Before you start:**

The ceiling mounting is applicable to the indoor/outdoor solid ceiling construction. The followings are the mandatory precondition for ceiling mounting:

- The ceiling must be with the thickness between 5 and 40mm.
- The ceiling must be strong enough to withstand more than 4 times the weight of the dome and its accessories.

### **2.4.1 Wiring**

The cables of dome can be routed either from the top or the side of the back box, as shown in Figure 2-18. For the cables routed from the top of the back box, it is required to drill a cable hole in the ceiling.

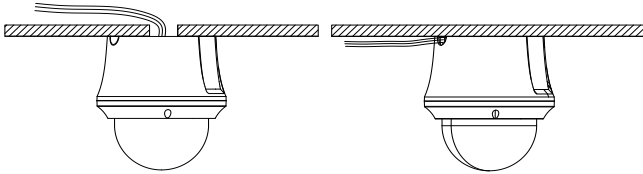


Figure 2-18 Cabling for Ceiling Mounting

## 2.4.2 Ceiling Mounting

### Steps:

1. Drill Screw holes in the ceiling.
  - (1) Attach the drill template to the ceiling where you need to install the speed dome.
  - (2) Drill screw holes and a cable hole (optional) according to the drill template.

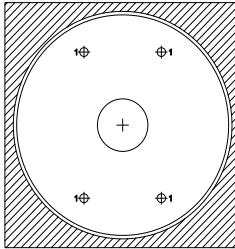


Figure 2-19 Drill Template

2. Disassemble the speed dome.
  - (1) Loosen three screws on the notch.
  - (2) Remove the lower dome.
  - (3) Remove the protective lens cover, foam and sticker from the dome drive as shown in Figure 2-20.

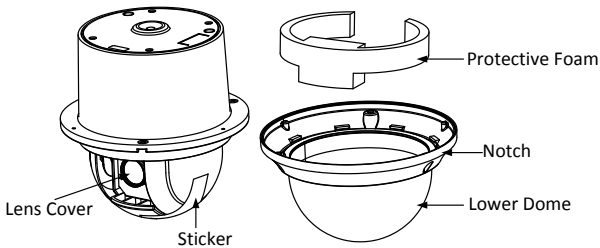


Figure 2-20 Disassemble the Speed Dome

3. Attach lower dome to the back box, and secure it with screws.
4. Align the ceiling mount with the screw holes on the drill template. Secure the ceiling mount to the ceiling with screws (supplied).

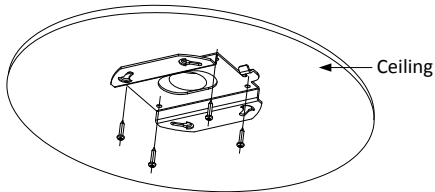


Figure 2-21 Install Ceiling Mount

5. Align the hook of the ceiling with unlock label on the speed dome.
6. Push the speed dome to the ceiling mount and rotate clockwise to secure it.

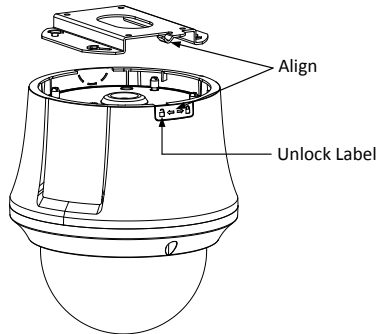


Figure 2-22 Install Speed Dome



- For cement ceiling mounting, you need to use the expansion screw to fix the mount. The mounting hole of the expansion pipe on the wall should align with the mounting hole on the mount.
- For wooden ceiling mounting, you can just use the self-tapping screw to fix the bracket.

## 3 Application and Operations

### 3.1 System Application

The device can be controlled through the back-end device or control software. The back-end device includes control keyboard, DVR (Digital Video Recorder), etc., and the control software includes client software. Here we take the connection of DVR as the example.

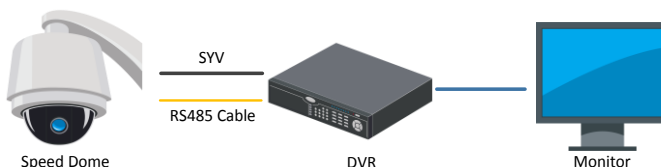


Figure 3-1 System Application



- If both the speed dome and the DVR support the coaxial function, the RS485 cable is not necessary.
- The HD-TVI video output can only be connected to specific HD-TVI DVR.

### 3.2 Basic Operations

Make sure the speed dome is connected properly, and the following basic operations are supported:

#### Panning and tilting:

Click the direction buttons to control the pan and tilt movement of the speed dome.

#### Zooming:

Click the **ZOOM+** and **ZOOM-** buttons to control the zooming.

#### Focusing:

Click the **FOCUS+** and **FOCUS-** buttons to adjust the focus.

#### Iris:

Click the **IRIS+** and **IRIS-** buttons to adjust the iris.

#### Preset control:

The speed dome supports the preset function, and the configurable preset range varies according to the control system. The system menu pops up after you call the No.95 preset

The main menu interface is shown as follows:



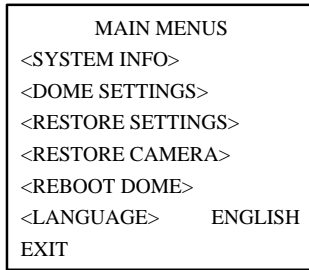


Figure 3-2 Main Menu



Refer to the user manual for the detailed instruction to set the speed dome.

### 3.2.1 Configuring Patrol

You can set the patrol function by the DVR and OSD menu, as well as the one-touch patrol can be realized.

- **Configuring Patrol by DVR**

**Steps:**

1. Enter the PTZ Control interface.

**Menu>Camera>PTZ**



Figure 3-3 PTZ Settings

2. Select patrol No. in the drop-down list of patrol.
3. Click the **Set** button to add key points for the patrol.

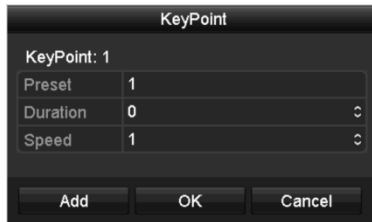


Figure 3-4 Key point Configuration

4. Configure key point parameters, such as the key point No., duration of staying for one key point and speed of patrol. The key point is corresponding to the preset. The **Key Point No.** determines the order at which the PTZ will follow while cycling through the patrol. The **Duration** refers to the time span to stay at the corresponding key point. The **Speed** defines the speed at which the PTZ will move from one key point to the next.
5. Click the **Add** button to add the next key point to the patrol, or you can click the **OK** button to save the key point to the patrol.

You can delete all the key points by clicking the **Clear** button for the selected patrol, or click the **Clear All** button to delete all the key pints for all patrols.

● **Configuring Patrol by OSD Menu**

**Steps:**

1. Call the preset 95 to enter the main menu and move the cursor to enter patrol configuration submenu:

MAIN MENU > DOME SETTINGS > PATROLS

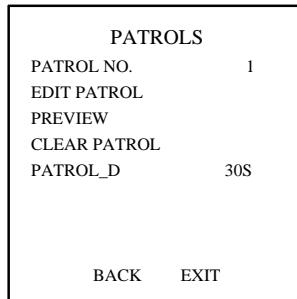


Figure 3-5 Patrol Configuration Menu

2. Choose the patrol number.
  - (1) Move the cursor to **PATROL NO.** and click **IRIS+** to enter edit mode.
  - (2) Click the up and down direction buttons to select the number of the patrol which is to be configured.
  - (3) Click **IRIS+** again to confirm the settings and exit edit mode of this column.



Up to 8 patrols can be configured.

3. Edit the patrol.

- (1) Move the cursor to **EDIT PATROL** and click **IRIS+** to enter edit mode.

NUM	PST	DWELL	SPEED
1	0	6	30
2	0	6	30
3	0	6	30
4	0	6	30
5	0	6	30
6	0	6	30
7	0	6	30
IRIS+ OK		IRIS- CANCEL	

Figure 3-6 Edit the Patrol

- (2) Click up/down direction buttons to choose the number and locate the preset to be edited.
- (3) Click left/right direction buttons to position the cursor to the column of **PRESET**, **DWELL** and **SPEED**. You can click the up/down direction buttons to set the value of preset number, dwell time and patrol speed.



The presets you set for a patrol should be the ones that have been pre-defined by users. The dwell time (5-800 seconds selectable) is the time that the speed dome stays on a certain preset; the patrol speed (level 1-40 selectable) is the scanning speed the speed dome switching between the presets.

- (4) Follow the above steps to define the other presets for the selected patrol. You can configure up to 32 presets in sequence for a patrol. Press **IRIS+** to save the new settings or press **IRIS-** to cancel and return to the previous menu.
4. Call the defined patrol.

Back to the live view interface after you finish editing the patrol, and call the special presets to call the defined patrol. The presets 35~38 stand for patrol 1~4 and presets 102~105 stand for patrol 5~8.

● **Calling Quick Patrol**

The dome starts patrol from the predefined preset 1 to preset 32 in order after the park time. The undefined preset will be skipped.

**Steps:**

1. Set the preset 1~32 by DVR or OSD menu.
2. Call the preset 46 to start the quick patrol.

### 3.2.2 Configuring Park Actions

**Purpose:**

For some certain model of the speed dome, it can be configured to start a predefined park action (scan, preset, patrol and etc.) automatically after a period of inactivity (park time).

● **Configuring Park Actions by DVR**

**Steps:**


1. Click the button **PTZ** in the lower-right corner of the PTZ setting interface;  
**Menu>Camera>PTZ**
2. Click the  button to show the one-touch function of the PTZ control.



Figure 3-7 PTZ Panel - One-touch

3. There are 3 one-touch park types selectable, click the corresponding button to activate the park action.

**Park (Quick Patrol):** The dome starts patrol from the predefined preset 1 to preset 32 in order after the park time. The undefined preset will be skipped.

**Park (Patrol 1):** The dome starts move according to the predefined patrol 1 path after the park time.

**Park (Preset 1):** The dome moves to the predefined preset 1 location after the park time.



The park time can only be set through the speed dome configuration interface, by default the value is 5s.

4. Click the button again to inactivate it.

● **Configuring Park Actions by OSD Menu**

**Steps:**

1. Call the preset 95 to enter the main menu and move the cursor to enter motion parameters setting submenu:  
**MAIN MENU > DOME SETTINGS > MOTION SETTINGS**

MOTION	
AUTO FLIP	ON
PROPORTIONAL PAN	ON
PARK TIME	5
PARK ACT	NONE
SCAN SPEED	28
IMAGE FREEZE	OFF
DOME SPEED	6
BACK	EXIT

Figure 3-8 PTZ Configuration

2. Move the cursor to the **PARK TIME**, and set the value in the range from 5 to 720 seconds.
3. Move the cursor to the **PARK ACT**, and the action can be set as preset 1-8, pattern 1-5, patrol 1-10, pan scan, tilt scan, random scan, frame scan, panoramic scan, day mode, night mode, patrol-d or none.



If no control signal is received after the park time under the following circumstances, no park actions will be performed: in the process of performing dome actions by calling special presets.

## 4 Troubleshooting

---

### 4.1 Device Exceptions

#### Question

Why does the speed dome fail to start or repeatedly reboot? Why does the speed dome restart intermittently when controlling PTZ, calling presets or turning on the infrared lights of the IR dome at night?

#### Answer

- Check the supply voltage of the dome. Ensure the supply voltage to meet the power requirements of the speed dome. The nearest power supply is recommended.
- Check whether the diameter of the power wire meet the standards.

### 4.2 PTZ Control Exceptions

#### Question

The speed dome cannot do PTZ control but can do zoom control.

#### Answer

- For the 5 inch speed dome, you need to remove the protective sticker and foam of the camera module by opening the bubble, correctly install the speed dome again and then wire up.
- For IR speed dome, please remove the protective sticker and then wire up.

#### Question

Neither zoom control nor PTZ control is available for the speed dome.

#### Answer

- Check the supply voltage of the dome. Ensure the supply voltage to meet the power requirements of the speed dome. The nearest power supply is recommended.
- Check whether the diameter of the power wire meet the standards.

### 4.3 Other Questions

#### Question

The preview image of the speed dome is not clear.

### Answer

- Please check whether the protective film of the bubble has been removed.
- Please check whether there are foreign objects on the bubble or the lens.
- Please check where there are obstructions such as spider web nearby.
- Open the bubble and check whether the lens cover has been removed.
- Restore the device to the default settings. Call the preset 95 to enter the OSD menu and select the **RESTORE CAMERA**.

### Question

For the IR speed dome, the image is abnormal white when the IR light is turned on in the night.

### Answer

- Please check whether there are obstructions near the lens, e.g. wall, leaf, spider web, cables, etc., which will cause the over-exposure due to the IR light reflection. Clear the obstructions if necessary.

### Question

The speed dome cannot focus when working in the indoor condition.

### Answer

- Please restore the device to the default to exclude the factor of incorrect configuration.
- Reduce the minimum focusing distance of the device by configuring the image settings through the OSD menu.



First Choice for Security Professionals